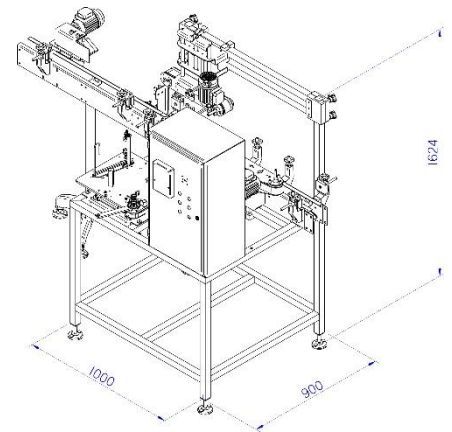


Marefa Self-adhesive Labeler



FEATURES

- Gate, panel and wrap-around labeling
- Adjustable labeling speed
- Adjustable time delay for label dispensing
- Servo drive for precision labeling
- Adjustable label height
- Can be configured to do wrap around labeling

APPROXIMATE LABELING SPEEDS

Up to 150 bottles a minute with specified bottles

NOTE: Labeling speeds may vary as they are subject to bottle design and operator efficiencies.

TECHNICAL INFORMATION

Crated size	1 300 X 1 400 X 700mm
Mass	90 KG
Electrical Consumption	0.5 kW
Voltage	380V THREE PHASE