

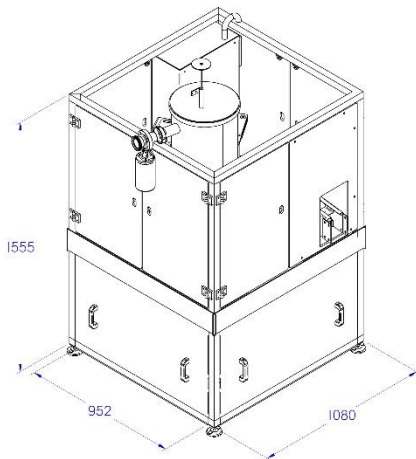
Marefa
Tub Filler



	Single Lane 8 Pocket	Dual Lane 28 Pocket	Dual Lane 40 Pocket
Electrical power consumption	1kW (depending on accessories)	1.2kW (depending on accessories)	1.2kW (depending on accessories)
Voltage	220V Single-Phase + Earth	380V 3-Phase + Neutral & Earth	380V 3-Phase + Neutral & Earth
Physical size	1050 x 1200 x 2050mm (l x w x h)	1620 x 1600 x 2050mm (l x w x h)	1600 x 2010 x 2050mm (l x w x h)
Accumulation table size	1900 x 600 x 1000+-50mm (l x w x h)	1900 x 600 x 1000+-50mm (l x w x h)	1900 x 600 x 1000+-50mm (l x w x h)
Air consumption	300l/min @ 6bar	500l/min @ 6 bar	5550l/min @ 6 bar
Crated mass	400kg	800kg	800kg

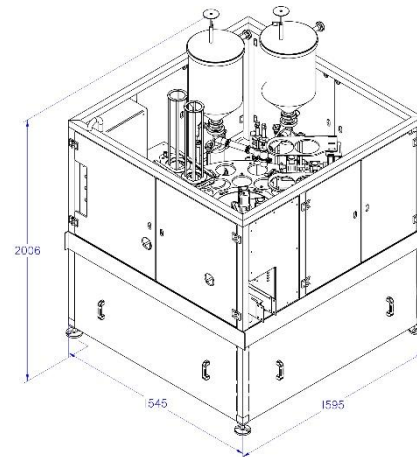
Single Lane Tub Filler:

8 Pocket



Double Lane Tub Filler:

28 Pocket



Machine Options

- Standard single & Dual lane machine
 - Foil
 - Tamper Lid
 - Foil or Tamper lid
 - Foil & over Cap
- Standard piston or lobe pump with PLC control
- Close pitch option for low viscosity products.

Supporting Solutions

- Tub Accumulation